

Available in these regions:

North America, Latin/South America, Australia, & New Zealand

ORDERING & CABLING GUIDE



Field-IQ **ISOBUS**

TANK-Control
Sprayer
Orchard/Vineyard

valid as of 1 January 2024



Field-IQ™ ISOBUS Configurator Training Requirements

Unlock the full potential of Trimble's Field-IQ™ ISOBUS Configurator! Begin by delving into our training sessions to master the tool's capabilities. Training is a prerequisite for accessing software modules, and we recommend starting with the Sprayer configurator and then expanding based on your customer's needs.

The available configurator modules include:

- | | | | | | | | | |
|---|---|---|---|---|---|----------------|-----------------------|-------------------------|
| + | + | + | + | + | + | Sprayer | | |
| + | + | + | + | + | + | | Hoeing | |
| + | + | + | + | + | + | | | Vineyard/Orchard |
| + | + | + | + | + | + | | Planter/Seeder | |
| + | + | + | + | + | + | | | |



Ready to dive in?

Simply purchase the Field-IQ™ ISOBUS Configurator software and attend our in-person training. An annual fee also grants you access to this powerful tool, allowing dealers to craft ISO ECU profiles for unique implement setups beyond our standard profiles.

Email your regional training team for customized training details aligned with your dealership's specific needs. Clearly state the modules you're interested in, and we'll design a training program that perfectly matches your requirements, ensuring optimal effectiveness.

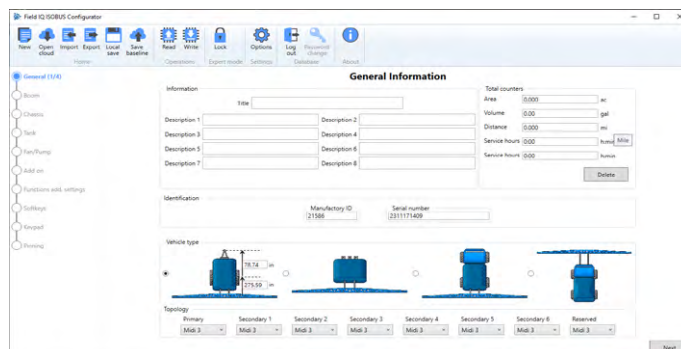
REGIONAL TRAINING TEAMS:

- NAMER traingcf@trimble.com
- LATAM treinamentos_ag@trimble.com
- APAC APAC_Training@trimble.com
- EMEA me-service@trimble.com

Why training is important?

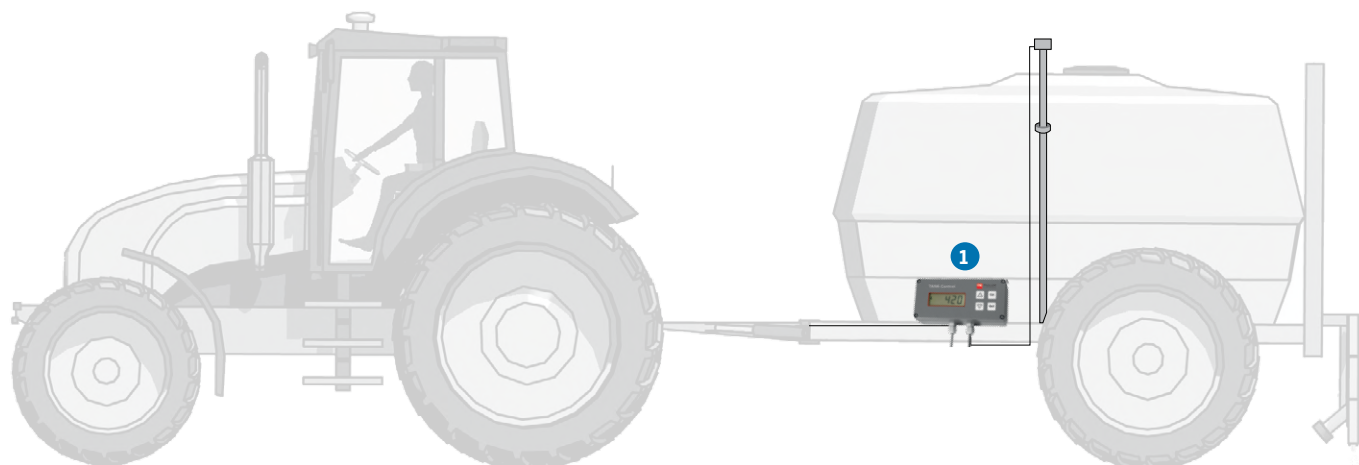
Dealers are *required* to undergo this training before accessing Field-IQ™ ISOBUS configuration tools, including PC-based configurators.

These configurators empower technicians to craft custom configuration files tailored to specific device types. Access to the PC-based configuration tool is exclusive to the individual license holder and is granted through an annual license subscription.



	Item no.
Field IQ ISOBUS Configurator (annual license) <i>(You will not be given a login to the software until you attend training.)</i>	3032259106
Service Case ISOBUS (recommended one per dealership) <i>This case includes a fundamental vehicle harness designed to link an ISOBUS job computer to a terminal independently of a tractor. It comes complete with a power supply unit for 230V operation of the basic cable harness. Additionally, the package features a PCAN dongle and various adapter cables for diagnostic purposes.</i> <i>*You will receive two free training registrations when you purchase the Service Case.</i>	30309982

TANK-Control



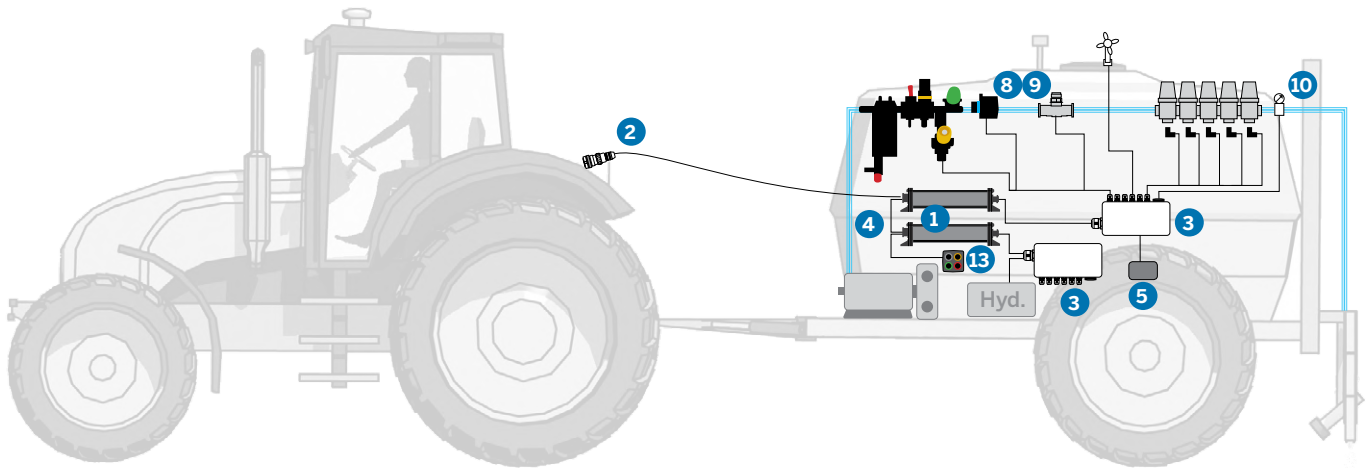
TANK-Control (optional for all sprayer control systems)

The first number in the article text is the maximum measurement value, while the second number is the overall length of the sensor.

		Item no.
1	TANK-Control with level sensor 1200/1380	30252003
	TANK-Control with level sensor 1440/1620	30252006
	TANK-Control with level sensor 1600/1780	30252011
	TANK-Control with level sensor 1840/2020	30252021
	TANK-Control with level sensor 2080/2260	30252045
	TANK-Control with level sensor 2400/2580	30252051
Accessories		Item no.
2	Connection cable for sensors, with 3-pin AMP socket on junction box available in different cable lengths (is required for connection to the junction box).	see <i>MIDI 3.0 - Standard Components</i> table

Field-IQ™ ISOBUS for Sprayer*

*requires a Field-IQ™ ISOBUS Configurator tool for configuration

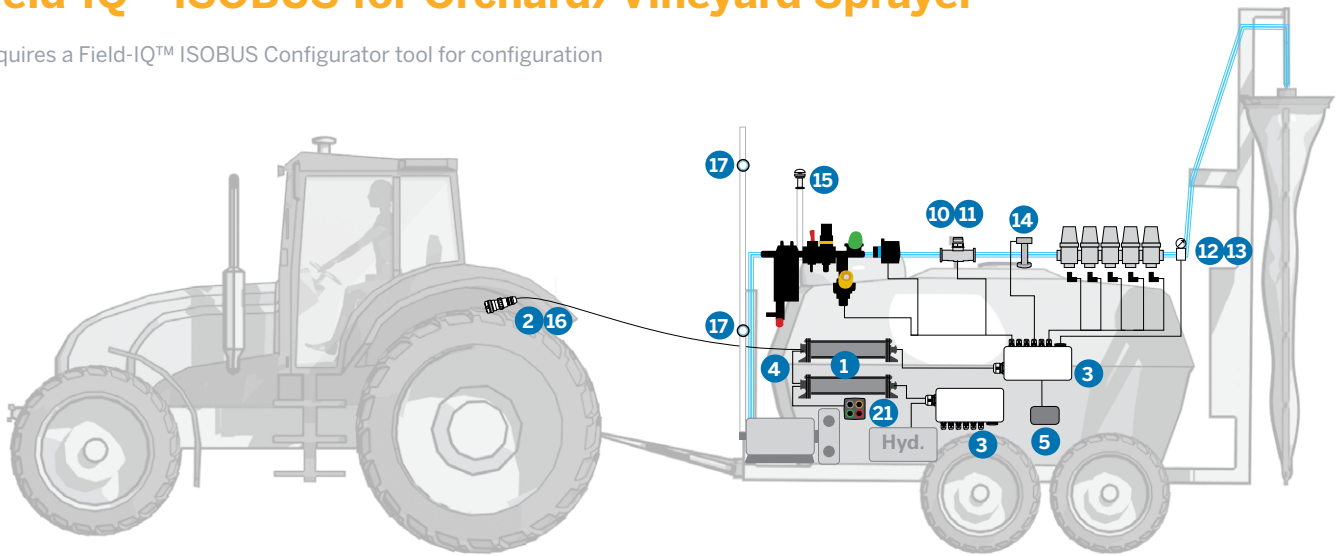


1	2	3	4
5	6	7	8
9	10	11	12

ISOBUS ECU for sprayers		Item no.
1	Field-IQ™ ISOBUS ECU-MIDI 3.0	75774-20
2	Connector cable ISOBUS ECU, available in different cable lengths	see <i>MIDI 3.0 - Standard Components</i> table
3	Universal junction box for ECU-MIDI 3.0, available in different cable lengths	see <i>MIDI 3.0 - Standard Components</i> table
Accessories		Item no.
4	Connector cable, primary to secondary ECU, available in different cable lengths	see <i>MIDI 3.0 - Standard Components</i> table
5	Sensor X (speed), trailed sprayer, 1 m cable with AMP connector, 12 magnets	30303621
6	GPS speed sensor	30258330
7	Connector cable for sensors, with 3-pin AMP socket on junction box, available in different cable lengths	see <i>MIDI 3.0 - Standard Components</i> table
Flow meter		Item no.
8	Inline flow meter (Bürkert) DN 20, 10 bar, 7 m cable without connector, 8 - 140 l/min	30244510
	Inline flow meter (Bürkert) DN 25, 10 bar, 7 m cable without connector, 14 - 220 l/min	30244710
9	Flow meter Polmac 1" Turbo-Flow 30 bar, 7 m cable without connector, 6 - 140 l/min	30244910
Pressure sensor		Item no.
10	Pressure sensor 0 - 16 bar, 1 m cable with AMP connector	30303591
11	Connector cable, 8 m, for sensors, with 3-pin AMP socket to junction box	30303297
12	Accessory bag pressure sensor	31243210
Single nozzle switching		Item no.
Communication module for Hypro-EDS		3030308533
External operation		Item no.
13	CAN Keypad with accessories	see <i>MIDI 3.0 - Standard Components</i> table

Field-IQ™ ISOBUS for Orchard/Vineyard Sprayer*

*requires a Field-IQ™ ISOBUS Configurator tool for configuration



1	2	3	4
5	6	7	8
9	10	11	12
13	14	15	16
17	18	19	20

ISOBUS ECU for orchard/vineyard sprayers		Item no.
1	Field-IQ™ ISOBUS ECU-MIDI 3.0	75774-20
2	Connector cable ISOBUS ECU, available in different cable lengths	see <i>MIDI 3.0 - Standard Components</i> table
3	Universal junction box for ECU-MIDI 3.0, available in different cable lengths	see <i>MIDI 3.0 - Standard Components</i> table
4	Connector cable, primary to secondary ECU, available in different cable lengths	see <i>MIDI 3.0 - Standard Components</i> table
5	Sensor X (speed), trailed sprayer, 1 m cable with AMP connector, 12 magnets	30303621
6	GPS speed sensor	30258330
7	Connector cable for sensors, with 3-pin AMP socket on junction box, available in different cable lengths	see <i>MIDI 3.0 - Standard Components</i> table
8	Universal cable harness orchard/vineyard	3030383002
9	Adapter AMP 3-pin to valve connector, 1.5 m	3030383003
	Adapter AMP 3-pin to valve connector, 3 m	3030383004
	Adapter AMP 3-pin to motorized valve connector	3030383009
Flow meter		Item no.
10	Flow meter Polmac 1" Turbo-Flow 30 bar, 7 m cable without connector, 6 - 140 l/min	30244910
11	Flow meter (Bürkert), Inline DN 20, 10 bar, 7 m cable without connector, 8 - 140 l/min	30244510
	Flow meter (Bürkert), Inline DN 25, 10 bar, 7 m cable without connector, 14 - 220 l/min	30244710
Pressure sensor		Item no.
12	Pressure sensor 0 - 16 bar, 1 m cable with AMP connector	30303591
13	Pressure sensor, 0 - 50 bar, 1 m cable	312428
TANK-Control		Item no.
14	TANK-Control with fill level sensor, available in different versions	
Headland detection using the GPS compass direction – ISOBUS Weather Station		Item no.
15	Connection of the ISOBUS Weather Station to the ISOBUS	3030247110
16	Connection cable ISOBUS with connection ISOBUS Weather Station, 6.5 m	3030314005
Gap detection using ultrasonic sensors		Item no.
17	Ultrasonic sensor 130 4 – 20 mA (working area 20 – 130 cm)	3030383006
	Ultrasonic sensor 340 4 – 20 mA (working area 35 – 340 cm)	3030383007
	Ultrasonic sensor 600 4 – 20 mA (working area 60 – 600 cm)	3030383008
18	Extension connection cable ultrasonic sensors, 12 m	31303042
	Extension connection cable ultrasonic sensors, 16 m	31303045
19	Connection cable ultrasonic sensors to junction box, 20 m	31303050
20	Accessory bag (brackets, mounting material) for 2 ultrasonic sensors	31303051
External operation		Item no.
21	CAN Keypad with accessories	see <i>MIDI 3.0 - Standard Components</i> table

MIDI 3.0 - Standard components

Connector cable, ISOBUS ECU		Item no.
1	Connector cable, ISOBUS ECU, 1 m	3030314303
	Connector cable, ISOBUS ECU, 2.5 m	3030314603
	Connector cable, ISOBUS ECU, 4 m	3030314403
	Connector cable, ISOBUS ECU, 5.5 m	3030314803
	Connector cable, ISOBUS ECU, 6.5 m	3030314003
	Connector cable, ISOBUS ECU, 8.5 m	3030314203
	Connector cable, ISOBUS ECU, 11 m	3030314103
	Connector cable, ISOBUS ECU, 14 m	3030314703
Connector cable, primary to secondary ECU		Item no.
2	Connector cable, primary to secondary ECU, 0.3 m	30322355
	Connector cable, primary to secondary ECU, 0.6 m	3032235804
	Connector cable, primary to secondary ECU, 1.5 m	30322359
	Connector cable, primary to secondary ECU, 3.2 m	30322358
	Connector cable, primary to secondary ECU, 4 m	3032235801
	Connector cable, primary to secondary ECU, 6.5 m	30322357
	Connector cable, primary to secondary ECU, 8 m	3032235802
	Connector cable, primary to secondary ECU, 10 m	30322356
	Connector cable, primary to secondary ECU, 14 m	3032235803
	Universal junction box	
3	Universal junction box for ECU-MIDI 3.0, 0.6 m cable	3032247001
	Universal junction box for ECU-MIDI 3.0, 1.5 m cable	3032247501
	Universal junction box for ECU-MIDI 3.0, 2 m cable	3032247101
	Universal junction box for ECU-MIDI 3.0, 4 m cable	3032247201
Sensors & accessories		Item no.
4	GPS speed sensor	30258330
5	Work position sensor	30303615



AEF Certified



www.aef-isobus-database.org

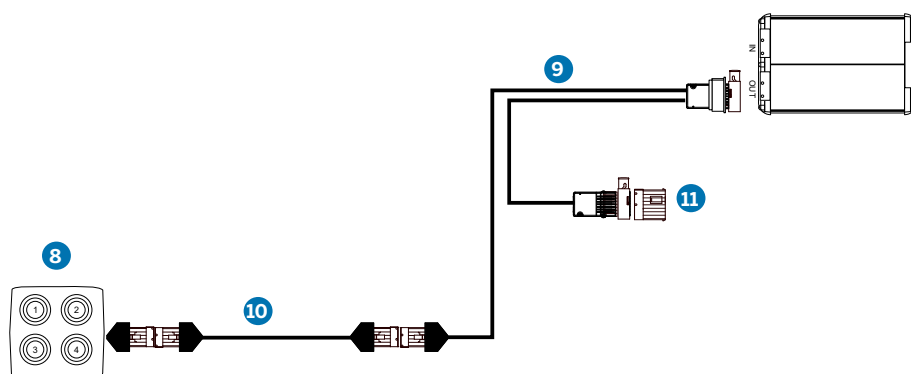
ME ECUs comply with ISOBUS standard 11783 and are AEF-certified. You can find the current status of the certified functions * in the AEF database.

* subject to change

Sensors & accessories		Item no.
6	Rotational speed sensor with AMP connector	30303623
7	Connection cable for sensors with 3-pin AMP socket to junction box, 1.10 m	3030329706
	Connection cable for sensors with 3-pin AMP socket to junction box, 2 m	30303294
	Connection cable for sensors with 3-pin AMP socket to junction box, 4 m	30303296
	Connection cable for sensors with 3-pin AMP socket to junction box, 6 m	30303295
	Connection cable for sensors with 3-pin AMP socket to junction box, 8 m	30303297
	Connection cable for sensors with 3-pin AMP socket to junction box, 10 m	3030329705
	Connection cable for sensors with 3-pin AMP socket to junction box, 12 m	30303298
	Connection cable for sensors with 3-pin AMP socket to junction box, 20 m	30303289



External operation	Item no.
--------------------	----------



8	CAN Keypad, additional control panel	30303156
9	Flexwire cable to MIDI with Y cable, 6-pin, AMP	3025208030
10	Extansion cable 6-pin AMP, 3.5 m	3025208035
	Extansion cable 6-pin AMP, 7.5 m	3025208036
11	Termination plug	31300580



Licenses	Item no.
Raven Sidekick Pro	30303074
US.Sen. SECTION Switch	3030383005
Vario-Select License	30303080
NIR Sensor License	30303081

Spare parts

Sensors		Item no.
Sensor X for drive shaft/wheel, 6 m cable without connector, for junction box, with installation equipment		312580
Inductive sensor 12 mm, 1 m cable with AMP connector, 4 mm switching distance		30303625
Inductive sensor 18 mm, 1 m cable with AMP connector, 8 mm switching distance		30303631
Level sensor, 1 m cable with AMP connector		30303650
Angle sensor 30° with AMP connector, without cable, with boom		30303672
Angle sensor 60° with AMP connector, without cable, with boom		30303673
Angle sensor 120° with AMP connector, without cable, with boom		30303675
Cabling		Item no.
AMP socket, 3-pin, for sensor		31300571
Parts set 3-pin AMP plug		31300561
Connection cable for sensors with 3-pin AMP socket to junction box, 1.10 m		3030329706
Connection cable for sensors with 3-pin AMP socket to junction box, 2 m		30303294
Connection cable for sensors with 3-pin AMP socket to junction box, 4 m		30303296
Connection cable for sensors with 3-pin AMP socket to junction box, 6 m		30303295
Connection cable for sensors with 3-pin AMP socket to junction box, 8 m		30303297
Connection cable for sensors with 3-pin AMP socket to junction box, 10 m		3030329705
Connection cable for sensors with 3-pin AMP socket to junction box, 12 m		30303298
Connection cable for sensors with 3-pin AMP socket to junction box, 20 m		30303289
Extension cable AMP, 3-pin, 6m		30303292
Others		Item no.
P-Can Dongle		32745670
Adapter harness for ISOBUS In-Cab connector		31322591
Adapter harness for Sub-D connection		327360
Service Case		30309980
<p>Service Case ISOBUS</p> <p><i>Contains basic vehicle harness to connect an ISOBUS ECU from Müller-Elektronik to a display without a tractor.</i></p> <p><i>A power supply unit is included for operating the basic vehicle harness with 230 V. In addition, a PCAN dongle and various adapter cables for diagnostic purposes are included.</i></p>		30309982

