

ORDERING & CABLING GUIDE

# Field-IQ™ **ISOBUS**

valid as of 1 January 2024



# Table of contents

Field-IQ™ ISOBUS Configurator .....	3
-------------------------------------	---

## PRECISION FARMING

ISOBUS Displays .....	4
ISOBUS Displays .....	4

## SEEDING

<b>Function Overview Advanced Planter .....</b>	<b>6</b>
Shut-off Clutches .....	7
ISOBUS Monitoring Module for Advanced Planter .....	8
Field-IQ™ ISOBUS for Planter with Monitoring Module .....	9
Field-IQ™ ISOBUS for Planter with Junction Box .....	10
Field-IQ™ ISOBUS for Planter with Control Module .....	11
Field-IQ™ ISOBUS for Planter with MRC Module .....	12
<b>Function Overview Seeder .....</b>	<b>13</b>
Field-IQ™ ISOBUS for Seeder .....	14
ME-Blockage Stand-alone .....	16
Field-IQ™ ISOBUS for Seeder with Blockage .....	17

## CROP PROTECTION – Control and Monitoring Systems

<b>Function Overview .....</b>	<b>18</b>
TANK-Control .....	19
Field-IQ™ ISOBUS for Sprayer .....	20
Field-IQ™ ISOBUS for Orchard/Vineyard Sprayer .....	22
Field-IQ™ ISOBUS for Hoeing Machine .....	24

## FERTILIZATION

<b>Function Overview.....</b>	<b>25</b>
Field-IQ™ ISOBUS for Slurry Tankers .....	26
Field-IQ™ ISOBUS for Fertilizer Spreader .....	28
ISOBUS SCALE-Controller.....	29

<b>MIDI 3.0 Standard Components.....</b>	<b>30</b>
--	-----------

<b>Spare Parts .....</b>	<b>32</b>
--------------------------	-----------

# Field-IQ™ ISOBUS Configurator Training Requirements

Unlock the full potential of Trimble’s Field-IQ™ ISOBUS Configurator! Begin by delving into our training sessions to master the tool’s capabilities. Training is a prerequisite for accessing software modules, and we recommend starting with the Sprayer configurator and then expanding based on your customer’s needs.

The available configurator modules include:

- + + + + + +
- + + + + + +
- + + + + **+** +
- Sprayer**
- Hoeing**
- Vineyard/Orchard**
- Planter/Seeder**
- Slurry**



## Ready to dive in?

Simply purchase the Field-IQ™ ISOBUS Configurator software and attend our in-person training. An annual fee also grants you access to this powerful tool, allowing dealers to craft ISO ECU profiles for unique implement setups beyond our standard profiles.

Email your regional training team for customized training details aligned with your dealership’s specific needs. Clearly state the modules you’re interested in, and we’ll design a training program that perfectly matches your requirements, ensuring optimal effectiveness.

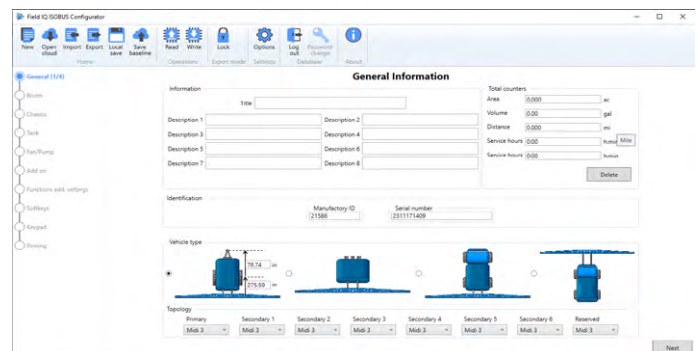
### REGIONAL TRAINING TEAMS:

- NAMER traingcf@trimble.com
- LATAM treinamentos\_ag@trimble.com
- APAC APAC\_Training@trimble.com
- EMEA me-service@trimble.com

## Why training is important?

Dealers are *required* to undergo this training before accessing Field-IQ™ ISOBUS configuration tools, including PC-based configurators.

These configurators empower technicians to craft custom configuration files tailored to specific device types. Access to the PC-based configuration tool is exclusive to the individual license holder and is granted through an annual license subscription.



	Item no.
Field IQ ISOBUS Configurator (annual license) <i>(You will not be given a login to the software until you attend training.)</i>	3032259106
Service Case ISOBUS (recommended one per dealership) <i>This case includes a fundamental vehicle harness designed to link an ISOBUS job computer to a terminal independently of a tractor. It comes complete with a power supply unit for 230V operation of the basic cable harness. Additionally, the package features a PCAN dongle and various adapter cables for diagnostic purposes. *You will receive two free training registrations when you purchase the Service Case.</i>	30309982

# ISOBUS Displays

## GFX-350™

The GFX-350 display with its 18 cm (7 inch) screen is a great entry-level option for our user-friendly, Android-based GFX range. This cost-effective solution offers excellent functionality and provides access to automatic steering and application control for any operation.

Display Kit, GFX-350™, Precision IQ, Trimble	Item no.
Kit contains - Power cables - RAM-Mount - Mounting material	136000-00
The Trimble® GFX-350™ display comes standard with the Precision-IQ™ application. It can be paired either with the NAV-500 or with the NAV-900 guidance controllers. Additionally, it can be used standalone as an ISOBUS Universal Terminal (UT) (license additional).	



## GFX-1060™

The GFX-1060 is the latest display from Trimble Agriculture. The 26 cm (10 inch) Android-based display is used to control and perform all field all field operations via the Precision IQ™ field application interface. With faster processing, larger memory and more storage capacity, this robust display simplifies even the most complex agricultural tasks.

Display Kit, GFX-1060™, Base Hardware, Trimble	Item no.
Kit contains - Power cables - RAM-Mount - Mounting material	138000-01
The GFX-1060 display can be paired either with the NAV-500™ or with the NAV-900 guidance controllers. This display is delivered in Base Hardware mode. A Software Activation license is required when it is time to activate the display for use. Until activation, Precision-IQ functionality is not available. <i>Note: App Central and basic functions such as Wi-fi and browser do not require the Software activation to work. Once the software is activated, the Precision-IQ App will function and additional feature licenses can also be purchased and applied to the GFX-1060™ as well as the NAV Controller.</i>	



## GFX-1260™

The GFX-1260™ is Trimble Agriculture's latest Android-based 30 cm display for controlling and performing all field operations via the Precision-IQ™ field application interface. With faster processing, larger memory and more storage capacity, this robust display is the ideal choice for any farm, making it easier to manage even the most complex field operations.

Display Kit, GFX-1260™, Base Hardware, Trimble	Item no.
Kit contains - Power cables - RAM-Mount - Mounting material	139000-01
Your GFX-1260™ display is delivered in Base Hardware mode. A Software Activation license is required when it is time to activate the display for use. Until activation, Precision-IQ functionality is not available. <i>Note: App Central and basic functions such as Wi-fi and browser do not require the Software activation to work. Once the software is activated, the Precision-IQ App will function and additional feature licenses can also be purchased and applied to the GFX-1060™ as well as the NAV Controller.</i>	





Cables		Item no.
1	Cable Assy, GFX/CFX/FM-750/XCN/FMX/FM-1000 Basic Power, 4m	67258
2	Cable Assy, GFX/CFX/FM-750/XCN/FMX/FM-1000 Power with Relay and Switch (Acc)	67259
3	Cable Assy, GFX/XCN, Expansion Port Basic, RS232, Dig I/O, 2.5m	110545
4	Cable Assy, GFX/XCN, Power to display, CAN, 2.5m	110551
5	Cable Assy, GFX/XCN, ISO connector, CAN, power, 2.5m	110553
6	Cable Assy, GFX/XCN, Expansion Port I, Dig I/O, RS232, Analog AgCam, 2.5m	114078
7	Cable Assy, Display Power, 9 Pin in Cab ISO	122448
Spare Parts		Item no.
8	Hardware Kit, RAM, FmX/FM-GFX/XCN	68043
9	GFX/XCN, Mount, RAM, Assy	112545
10	Anti-glare screen protector kit, GFX-1260 / XCN-1260 (1 per pack)	129942
Licenses		Item no.
License, Display-Multi type, Implement: Prescriptions, No Expiry		96553-07
License, Display-Multi-type:NMEA Position Input: No Expiry		93451-81
License, Display-Multi type, Implement: ISOBUS Task Controller, No Expiry		96553-10
License, Display-Multi type, Implement: Serial Rate and TUV, No Expiry		96553-11
License, ISOBUS: Universal Terminal		96553-12
License, Display-Multi Type, Implement: Multi-Product Control, No Expiry		96553-13
License, Display-Multi type, VRS Correction Client, No Expiry		96553-16
License, Display-Multi Type, Implement: Field IQ, No Expiry		96553-20
License, GFX/XCN-750,1050,1060,1260, System: Auto Asset Detection App, No expiry		96557-01
License, DEMO, Display-Multi type: All Features, 15 Day		93451-21

# Advanced planter

## Function Overview

	Monitoring module Stand-alone	Field-IQ™ ISOBUS for Planter with monitoring module	Field-IQ™ ISOBUS for Planter with junction box	Field-IQ™ ISOBUS for Planter with control module	Field-IQ™ ISOBUS for Planter MRC
Number of metering units		up to 12		up to 12	up to 12
Pre-metering		Yes		Yes	Yes
Target rate adjustment		Yes		Yes	Yes
Fan	1	2	1	2	2
Tramline switching			Yes	Yes	Yes
Singulation monitoring	up to 32 rows with 2 modules	170	42	106	120
Internal task counter		Yes	Yes	Yes	Yes
Product database	Yes	Yes	Yes	Yes	Yes
Hydraulic functions		Yes	Yes	Yes	Yes
ISOBUS	Yes	Yes	Yes	Yes	Yes
ISOBUS-TC		Yes	Yes	Yes	Yes
SECTION-Control		Yes	Yes	Yes	Yes
MULTI-Control		Yes	Yes	Yes	Yes
Configuration		via PC	via PC	via PC	via PC

## Shut-off clutches

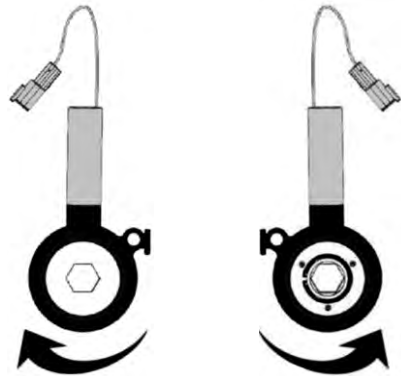
1



Drive side view

Driven side view

2



Drive side view

Driven side view

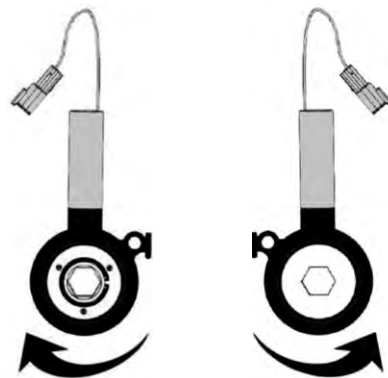
3



Drive side view

Driven side view

4



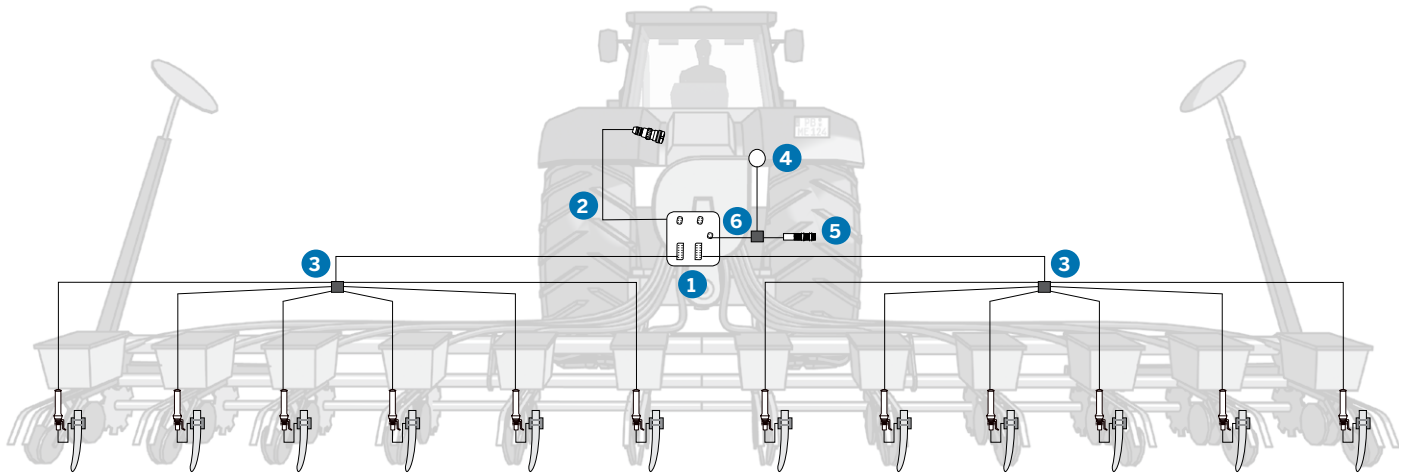
Drive side view

Driven side view

Different versions of the electrical shut-off clutch		Item no.
1	TC Electric Row Clutch, CCW R/H sprocket	89169-01
2	TC Electric Row Clutch, CCW L/H Sprocket	89169-02
3	TC Electric Row Clutch, L/H Sprocket, Reversed Housing	89169-03
4	TC Electric Row Clutch, CW, L/H Spring	89169-05

# ISOBUS Monitoring Module for Advanced Planter

\*requires a Field-IQ™ ISOBUS Configurator tool for configuration

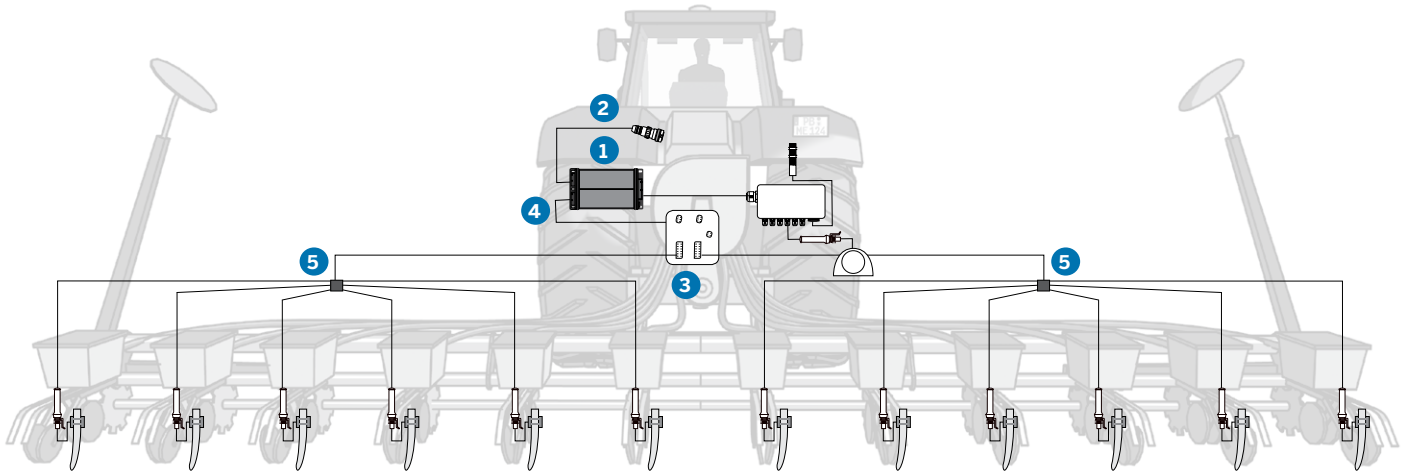


ISOBUS Advanced Planter		Item no.
1	ISOBUS Monitoring Module M-ECU	30284103
2	Connector cable ME module, 8.5 m	30303161
3	Cable harness, monitoring module with 3-pin AMP socket	30284112
4	GPS speed sensor	30258330
5	Work position sensor, 1 m cable, with AMP connector	30303615
6	Connection cable sensors monitoring/control module	30284117



# Field-IQ™ ISOBUS for Planter with Monitoring Module

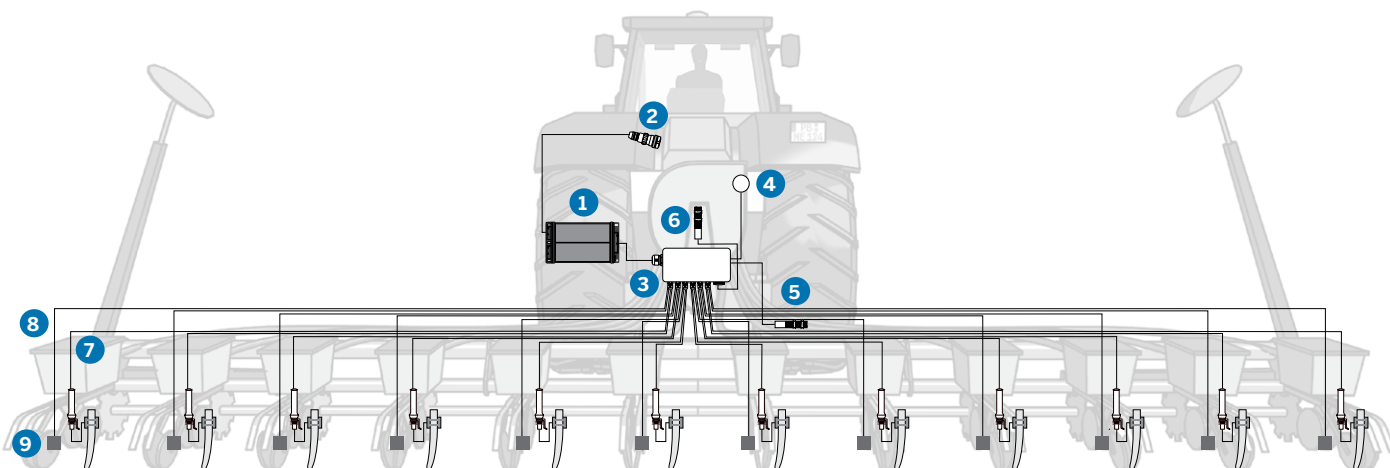
\*requires a Field-IQ™ ISOBUS Configurator tool for configuration



ISOBUS precision planter		Item no.
1	Field-IQ™ ISOBUS ECU-MIDI 3.0	75774-20
2	Connector cable ISOBUS ECU, available in different cable lengths	see page 30
3	Monitoring module precision planter	30284100
4	Connector cable, monitoring/control module, 0.5 m	30284115
5	Cable harness for M-ECU with 3-pin sensor connector	30284112

# Field-IQ™ ISOBUS for Planter with Junction Box

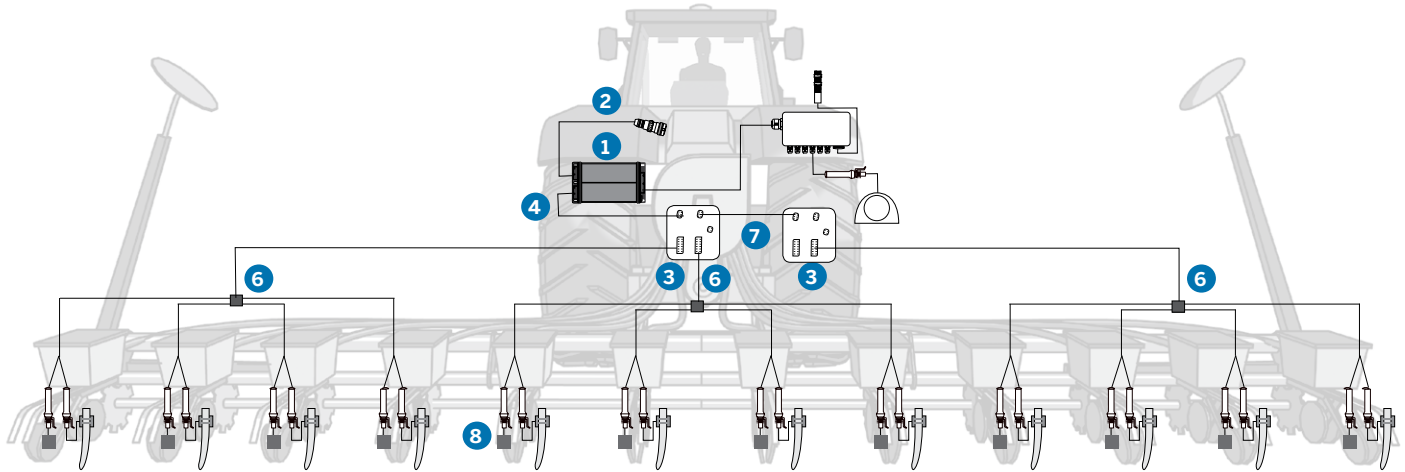
\*requires a Field-IQ™ ISOBUS Configurator tool for configuration



ISOBUS precision planter		Item no.
1	Field-IQ™ ISOBUS ECU-MIDI 3.0	75774-20
2	Connector cable ISOBUS ECU, available in different cable lengths	see page 30
3	Universal junction box for ECU-MIDI 3.0, available in different cable lengths	see page 30
4	GPS speed sensor	30258330
5	Work position sensor, 1 m cable, with AMP connector	30303615
6	Rotational speed sensor with AMP connector	30303623
7	Connector cable for sensors, with 3-pin AMP socket on junction box, available in different cable lengths	see page 31
8	Shut-off clutch connector cable, 5 m	30285057
	Shut-off clutch connector cable, 10 m	30285056
9	Shut-off clutch, available in different variants	see page 7

# Field-IQ™ ISOBUS for Planter with Control Module

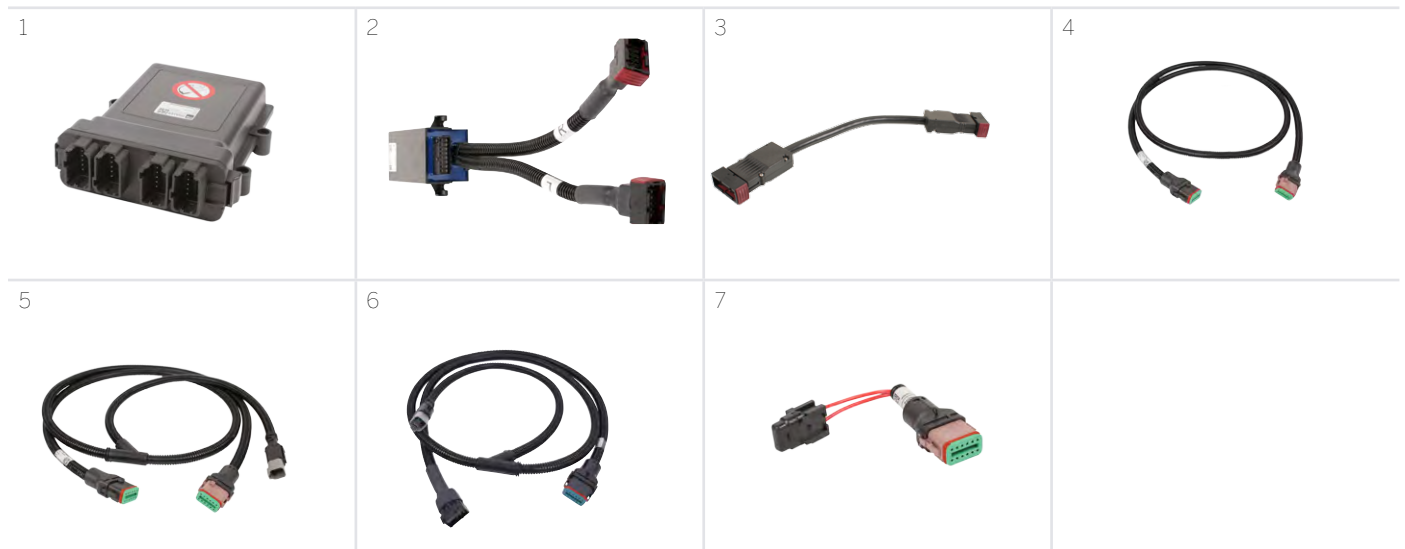
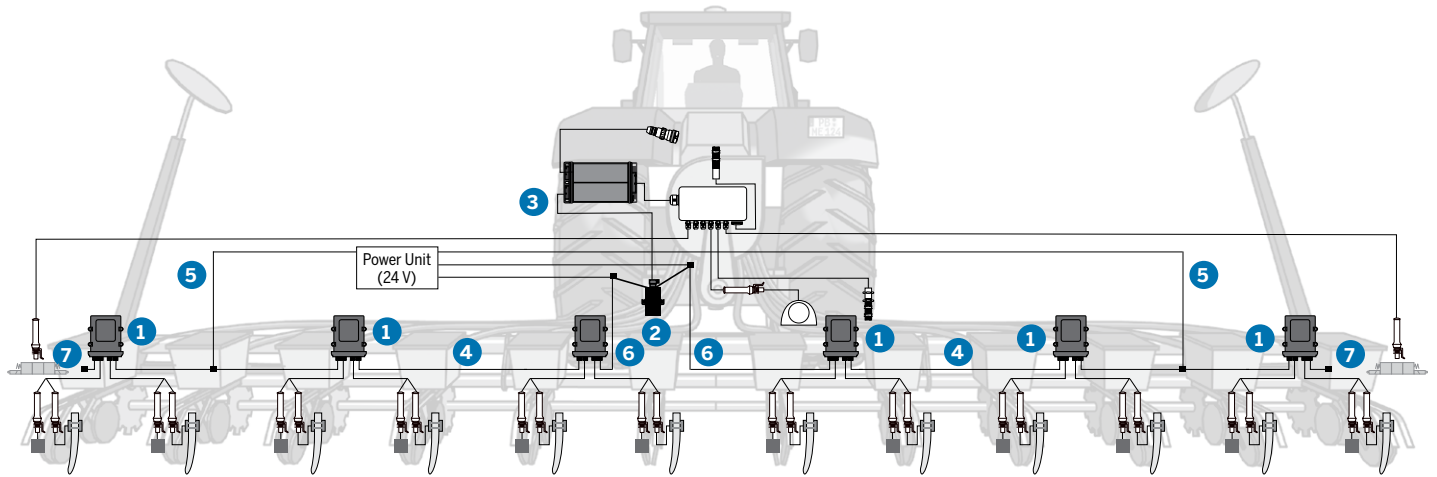
\*requires a Field-IQ™ ISOBUS Configurator tool for configuration



ISOBUS precision planter		Item no.
1	Field-IQ™ ISOBUS ECU-MIDI 3.0	75774-20
2	Connector cable ISOBUS ECU, available in different cable lengths	see page 30
3	Control module precision planter	30284101
4	Connector cable, monitoring/control module, 0.5 m	30284115
5	Adapter cable ISO to control module, 12-pin DT to 16-pin AMP connector (Only needed if you use the control module as a stand alone)	30284116
6	Cable harness, control module with 3-pin AMP socket for sensors	30284113
7	Connector cable between two MRC modules, 0.6 m	3039704004
	Connector cable between two MRC modules, 2 m	3039704000
8	Shut-off clutch available in different variants	see page 7

# Field-IQ™ ISOBUS for Planter with MRC Module

\*requires a Field-IQ™ ISOBUS Configurator tool for configuration



ISOBUS precision planter		Item no.
1	MRC module	30397027
2	MRC cable harness with CAN repeater	3028405401
3	Connector cable, primary to secondary ECU, available in different cable lengths	see page 30
4	Connector cable between 2 ME modules, 0.6 m	3039704004
	Connector cable between 2 ME modules, 2 m	3039704000
5	Connector cable between 2 MRC modules with external supply input, 2 m	3039704001
	Connection cable between 2 and MRC module, with external power supply input and electronic supply, 2 m	3039704005
6	Connection cable between CAN repeater and MRC module, with external power supply input and electronic supply, 2 m	3039704003
7	Termination plug	3039704002

# Seeder

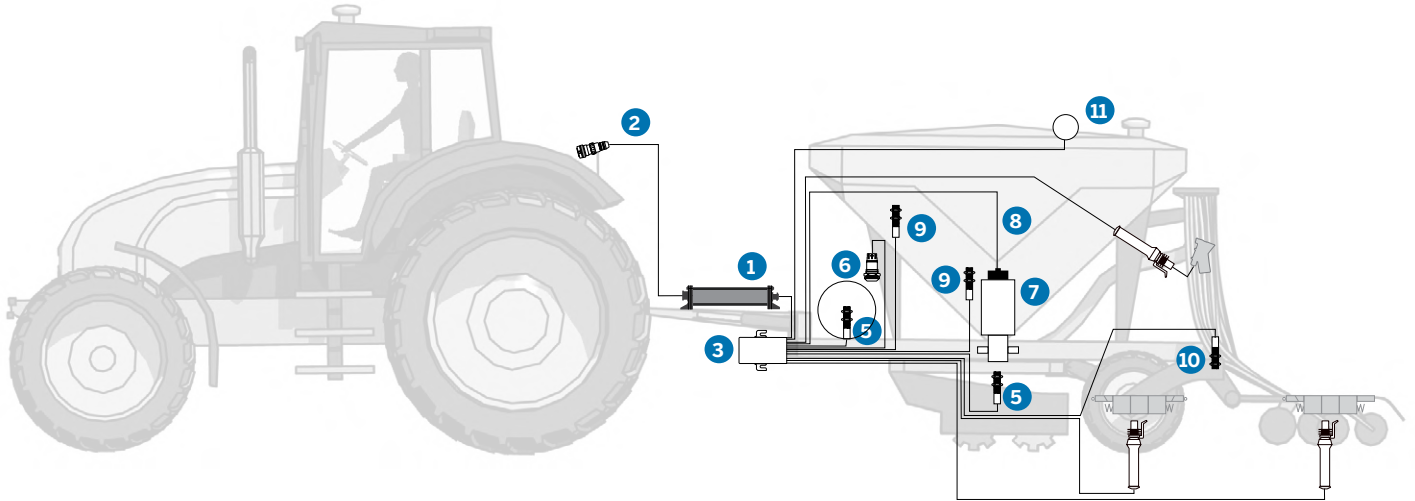
## Function Overview







Field-IQ™ ISOBUS  
for Seeder

Number of metering units	up to 2
Pre-metering	Work screen
Half width shutoff system	Yes
Target rate adjustment	Yes
Fan	1 monitoring
Tramline	Motor, solenoid (L & R)
Fill level sensor	Yes
Pre-emergence marker	Magnet (L & R)
Singulation monitoring	
Internal task counter	Yes
Product database	Yes
folding	
Lifting/Lowering	Yes
ISOBUS	Yes
ISOBUS-TC	Yes
SECTION-Control	Yes
MULTI-Control	Yes
Configuration	via PC

# Field-IQ™ ISOBUS for Seeder\*

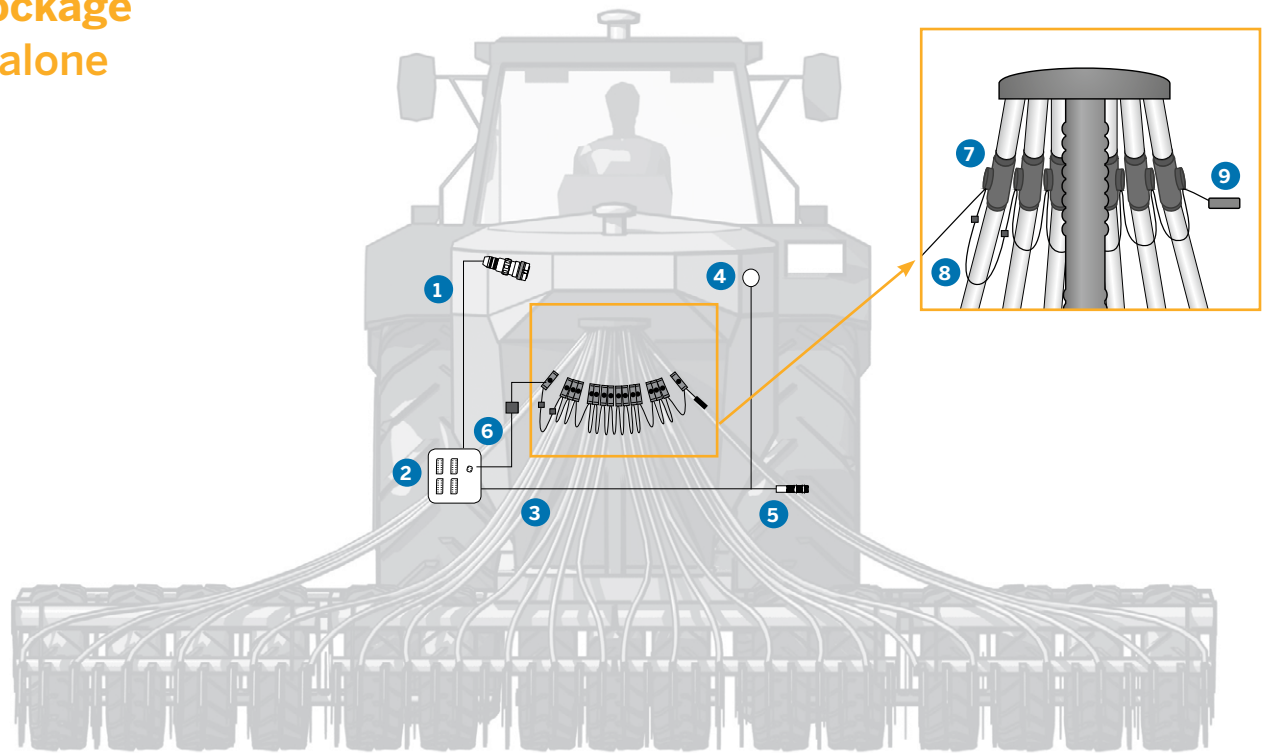
\*requires a Field-IQ™ ISOBUS Configurator tool for configuration



<p>1</p> 	<p>2</p> 	<p>3</p> 	<p>4</p> 
<p>5</p> 	<p>6</p> 	<p>7</p> 	<p>8</p> 
<p>9</p> 	<p>10</p> 	<p>11</p> 	<p>12</p> 
<p>13</p> 			

ISOBUS seeder		Item no.
1	Field-IQ™ ISOBUS ECU-MIDI 3.0	75774-20
2	Connector cable ISOBUS ECU, available in different cable lengths	see page 30
3	Cable harness ISOBUS seeder with 2 metering drives	30285031
4	Universal junction box for ECU-MIDI 3.0, available in different cable lengths	see page 30
5	Rotational speed sensor with AMP connector	30303623
6	Calibration button with AMP connector	30285080
7	Electrical metering drive	30285051
8	Connector cable for electrical metering drive to junction box, 2 m	30285055
9	Level sensor , 1 m cable, with AMP connector	30303650
10	Work position sensor, 1 m cable, with AMP connector	30303615
11	GPS speed sensor	30258330
12	Connector cable for sensors, with 3-pin AMP socket on junction box, available in different cable lengths	see page 31
Accessories		Item no.
13	Connector cable, primary to secondary ECU, available in different cable lengths	see page 30

# ME-Blockage Stand-alone

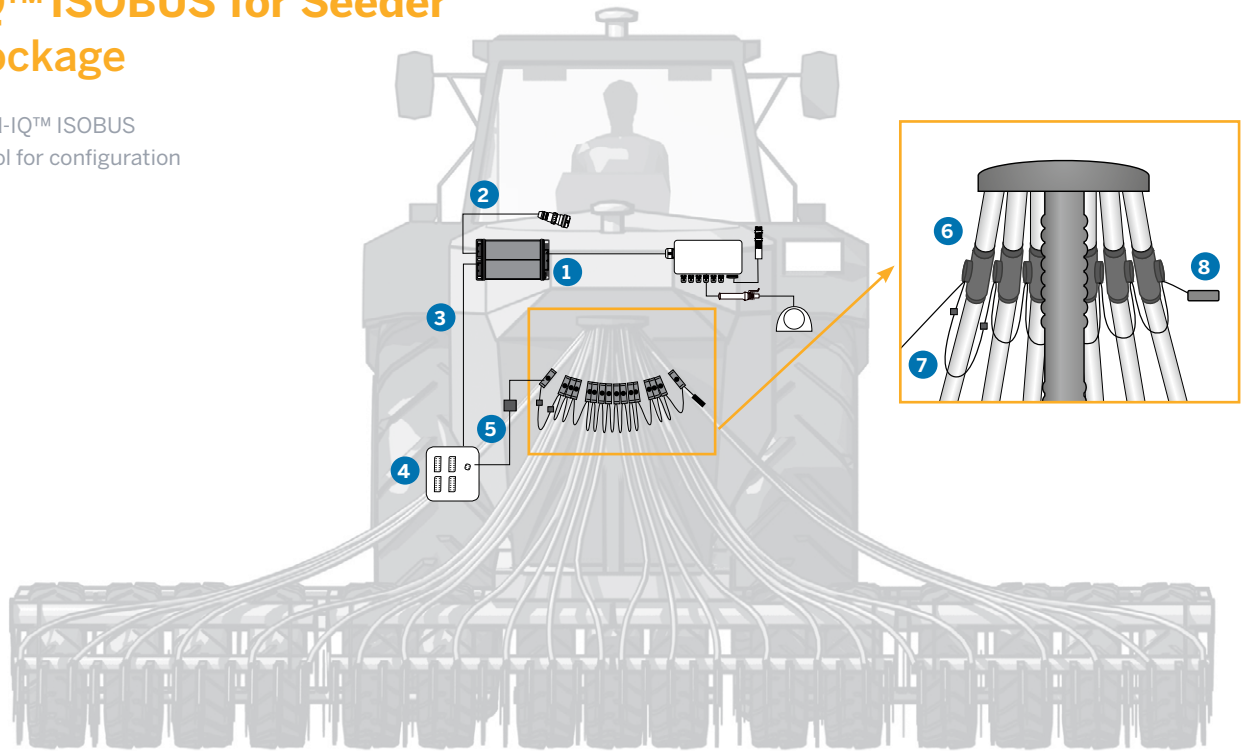


ME Blockage		Item no.
1	Connector cable ME module, 8.5 m	30303161
2	ISOBUS job computer ME Blockage	30293703
3	Connection cable sensors monitoring/control module	30284117
4	GPS speed sensor	30258330
5	Work position sensor, 1 m cable, with AMP connector	30303615
6	Connector cable blockage sensor	30293702
7	ME blockage sensor, diameter 32 mm	30293700
	ME blockage sensor, diameter 40 mm	30293701
8	Extension cable ME blockage sensor, 0.5 m	3030329201
	Extension cable ME blockage sensor, 1.5 m	3030329203
9	Dust protection cap	31300540



# Field-IQ™ ISOBUS for Seeder with Blockage

\*requires a Field-IQ™ ISOBUS Configurator tool for configuration



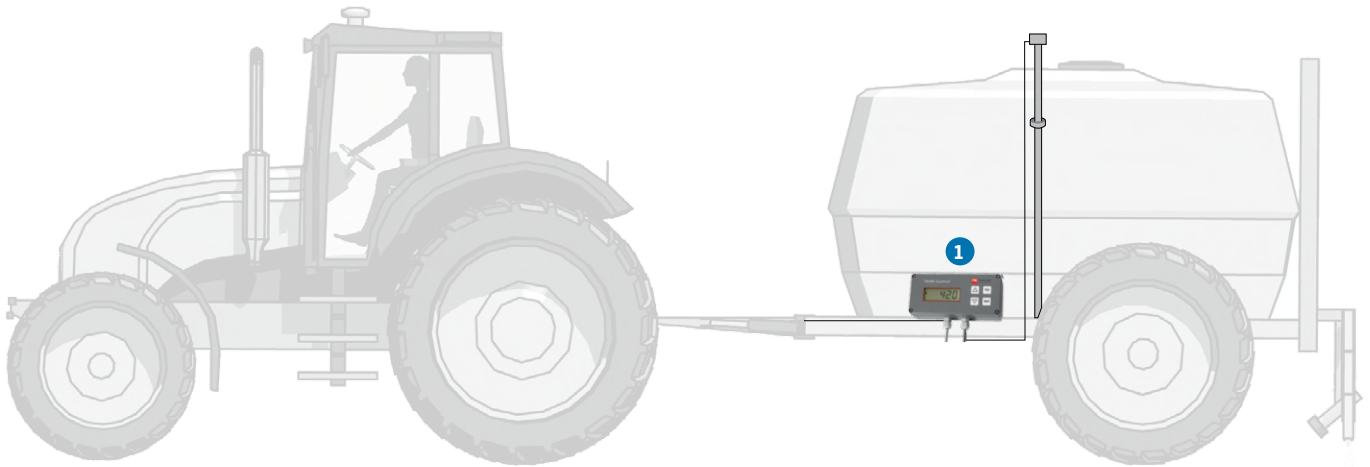
ME Blockage		Item no.
1	Field-IQ™ ISOBUS ECU-MIDI 3.0	75774-20
2	Connector cable ISOBUS ECU, available in different cable lengths	see page 30
3	Connector cable, monitoring/control module, 0.5 m	30284115
4	ISOBUS job computer ME Blockage	30293703
5	Connection cable sensors monitoring/control module	30284117
6	ME blockage sensor, diameter 32 mm	30293700
	ME blockage sensor, diameter 40 mm	30293701
7	Extension cable ME blockage sensor, 0.5 m	3030329201
	Extension cable ME blockage sensor, 1.5 m	3030329203
8	Dust protection cap	31300540

# Crop protection

## Function Overview

	Field-IQ™ ISOBUS for Sprayers	Field-IQ™ ISOBUS for Orchard/Vine- yard Sprayers	Field-IQ™ ISOBUS for Hoeing Machine
Application rate monitoring	Yes	Yes	
Application rate regulation	Yes	Yes	
ISOBUS system	Yes	Yes	Yes
Number of sections	up to 18 (with 2 ECUs)	up to 18 (with 2 ECUs)	19 sections, 49 hoeing elements
Hydraulic functions	up to 20 hydraulic functions per job computer	up to 20 hydraulic functions per job computer	up to 20 hydraulic functions per job computer
Trip and total counter	Yes	Yes	Yes
Task management (ISOBUS-TC)	Yes	Yes	Yes
Working with prescription maps	Yes	Yes	Yes
Fill level sensor (TANK-Control)	Yes	Yes	
Filling, rinsing and stirrer control (TANK-Control III)	Yes	Yes	
Manual drawbar and axle steering (TRAIL-Control)	Yes		
Section control (SECTION-Control)	Yes	Yes	Yes
Automatic nozzle selection (VARIO-Select)	Yes		
Multi product control (MULTI-Product)	Yes		
Multi device control (MULTI-Device)	Yes		Yes
Multi boom control (MULTI-Boom)	Yes		
Multi boom section control (MULTI SECTION-Control)	Yes		
External keypads	up to 16 keys	up to 16 keys	
Joystick	Yes	Yes	Yes
S-Box	Yes	Yes	Yes
Weather station	Yes	Yes	
Compatibility with agronomic sensors	Yes	Yes	
Configuration	via PC	via PC	via PC

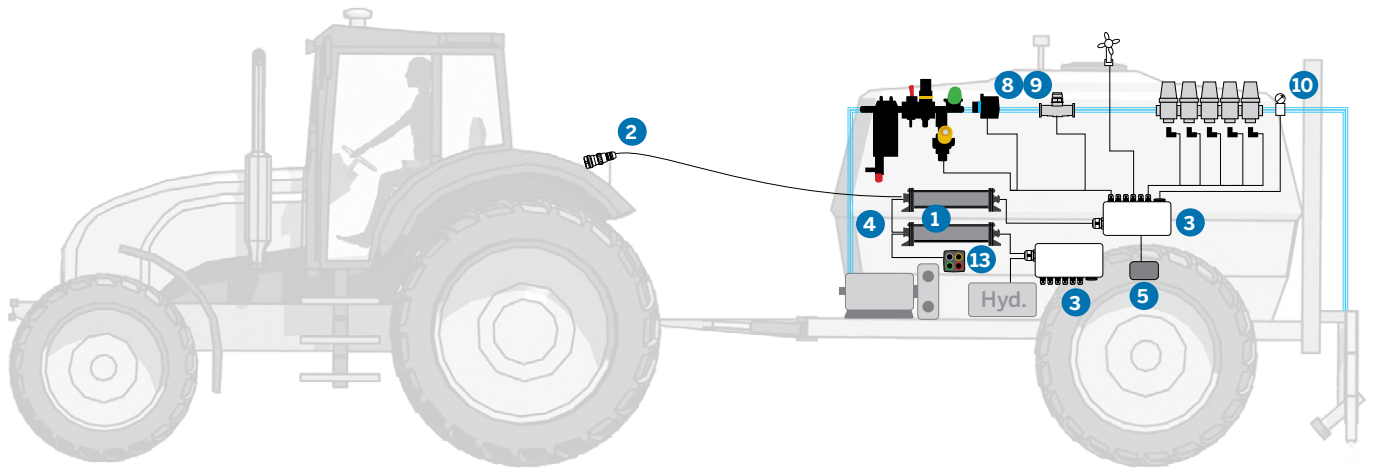
## TANK-Control







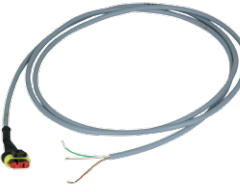







TANK-Control (optional for all sprayer control systems)		Item no.
The first number in the article text is the maximum measurement value, while the second number is the overall length of the sensor.		
1	TANK-Control with level sensor 1200/1380	30252003
	TANK-Control with level sensor 1440/1620	30252006
	TANK-Control with level sensor 1600/1780	30252011
	TANK-Control with level sensor 1840/2020	30252021
	TANK-Control with level sensor 2080/2260	30252045
	TANK-Control with level sensor 2400/2580	30252051
Accessories		Item no.
2	Connection cable for sensors, with 3-pin AMP socket on junction box available in different cable lengths (is required for connection to the junction box).	see page 31

# Field-IQ™ ISOBUS for Sprayer\*

\*requires a Field-IQ™ ISOBUS Configurator tool for configuration

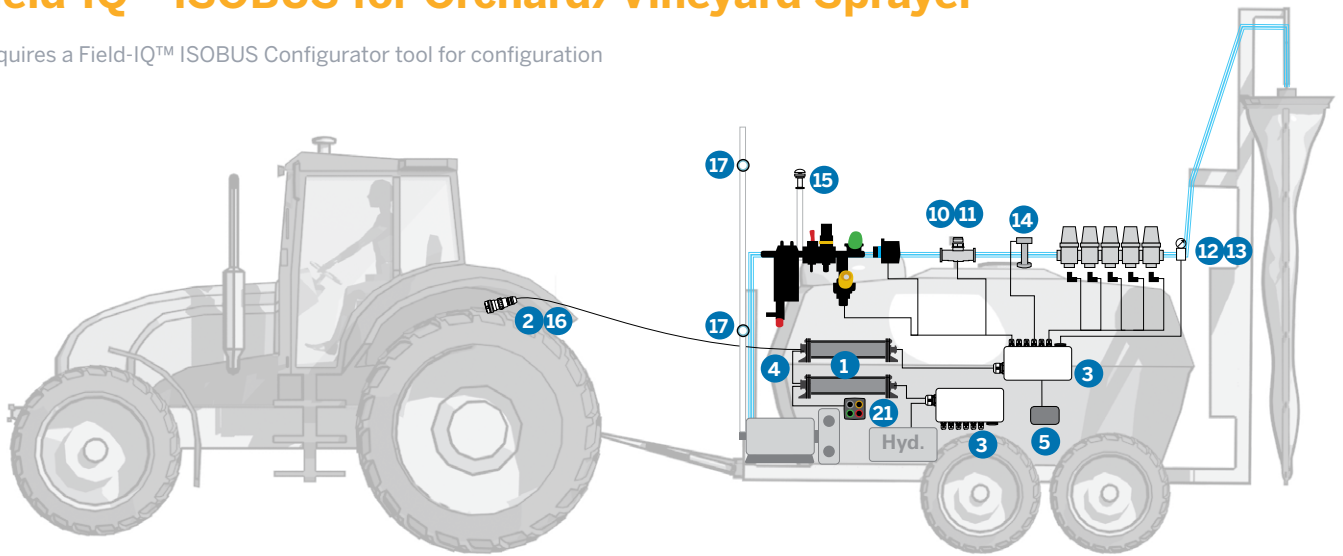


1 	2 	3 	4 
5 	6 	7 	8 
9 	10 	11 	12 

ISOBUS ECU for sprayers		Item no.
1	Field-IQ™ ISOBUS ECU-MIDI 3.0	75774-20
2	Connector cable ISOBUS ECU, available in different cable lengths	see page 30
3	Universal junction box for ECU-MIDI 3.0, available in different cable lengths	see page 30
Accessories		Item no.
4	Connector cable, primary to secondary ECU, available in different cable lengths	see page 30
5	Sensor X (speed), trailed sprayer, 1 m cable with AMP connector, 12 magnets	30303621
6	GPS speed sensor	30258330
7	Connector cable for sensors, with 3-pin AMP socket on junction box, available in different cable lengths	see page 31
Flow meter		Item no.
8	Inline flow meter (Bürkert) DN 20, 10 bar, 7 m cable without connector, 8 - 140 l/min	30244510
	Inline flow meter (Bürkert) DN 25, 10 bar, 7 m cable without connector, 14 - 220 l/min	30244710
9	Flow meter Polmac 1" Turbo-Flow 30 bar, 7 m cable without connector, 6 - 140 l/min	30244910
Pressure sensor		Item no.
10	Pressure sensor 0 - 16 bar, 1 m cable with AMP connector	30303591
11	Connector cable, 8 m, for sensors, with 3-pin AMP socket to junction box	30303297
12	Accessory bag pressure sensor	31243210
Single Nozzle Switching		Item no.
Communication module for Hypro-EDS		3030308533
External operation		Item no.
13	CAN Keypad with accessories	see page 31

# Field-IQ™ ISOBUS for Orchard/Vineyard Sprayer\*

\*requires a Field-IQ™ ISOBUS Configurator tool for configuration

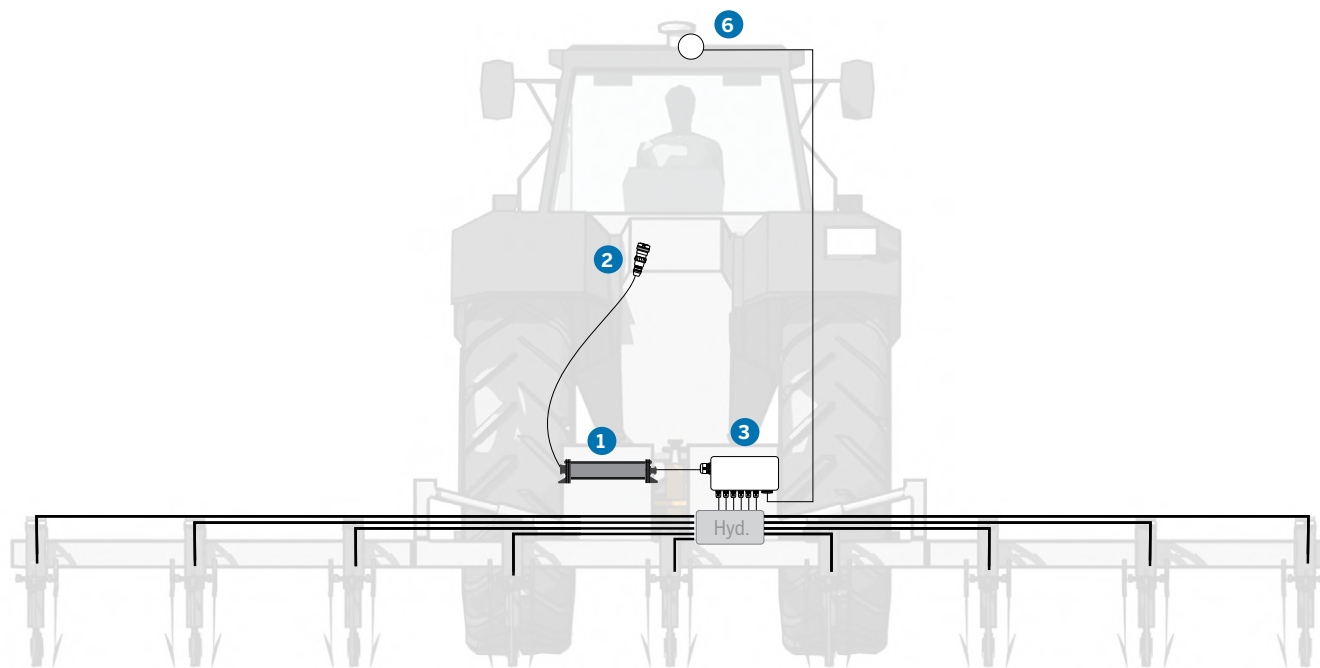


1	2	3	4
5	6	7	8
9	10	11	12
13	14	15	16
17	18	19	20

ISOBUS ECU for orchard/vineyard sprayers		Item no.
1	Field-IQ™ ISOBUS ECU-MIDI 3.0	75774-20
2	Connector cable ISOBUS ECU, available in different cable lengths	see page 30
3	Universal junction box for ECU-MIDI 3.0, available in different cable lengths	see page 30
4	Connector cable, primary to secondary ECU, available in different cable lengths	see page 30
5	Sensor X (speed), trailed sprayer, 1 m cable with AMP connector, 12 magnets	30303621
6	GPS speed sensor	30258330
7	Connector cable for sensors, with 3-pin AMP socket on junction box, available in different cable lengths	see page 31
8	Universal cable harness orchard/vineyard	3030383002
9	Adapter AMP 3-pin to valve connector, 1.5 m	3030383003
	Adapter AMP 3-pin to valve connector, 3 m	3030383004
	Adapter AMP 3-pin to motorized valve connector	3030383009
Flow meter		Item no.
10	Flow meter Polmac 1" Turbo-Flow 30 bar, 7 m cable without connector, 6 - 140 l/min	30244910
11	Flow meter (Bürkert), Inline DN 20, 10 bar, 7 m cable without connector, 8 - 140 l/min	30244510
	Flow meter (Bürkert), Inline DN 25, 10 bar, 7 m cable without connector, 14 - 220 l/min	30244710
Pressure sensor		Item no.
12	Pressure sensor 0 - 16 bar, 1 m cable with AMP connector	30303591
13	Pressure sensor, 0 - 50 bar, 1 m cable	312428
TANK-Control		Item no.
14	TANK-Control with fill level sensor, available in different versions	see page 19
Headland detection using the GPS compass direction – ISOBUS Weather Station		Item no.
Connection of the ISOBUS Weather Station to the display		see page 5
15	Connection of the ISOBUS Weather Station to the ISOBUS	3030247110
16	Connection cable ISOBUS with connection ISOBUS Weather Station, 6.5 m	3030314005
Gap detection using ultrasonic sensors		Item no.
17	Ultrasonic sensor 130 4 – 20 mA (working area 20 – 130 cm)	3030383006
	Ultrasonic sensor 340 4 – 20 mA (working area 35 – 340 cm)	3030383007
	Ultrasonic sensor 600 4 – 20 mA (working area 60 – 600 cm)	3030383008
18	Extension connection cable ultrasonic sensors, 12 m	31303042
	Extension connection cable ultrasonic sensors, 16 m	31303045
19	Connection cable ultrasonic sensors to junction box, 20 m	31303050
20	Accessory bag (brackets, mounting material) for 2 ultrasonic sensors	31303051
External operation		Item no.
21	CAN Keypad with accessories	see page 31

# Field-IQ™ ISOBUS for Hoeing Machine\*

\*requires a Field-IQ™ ISOBUS Configurator tool for configuration



ISOBUS ECU with secondary ECU for hoeing machines		Item no.
1	Field-IQ™ ISOBUS ECU-MIDI 3.0	75774-20
2	Connector cable ISOBUS ECU, available in different cable lengths	see page 30
3	Universal junction box for ECU-MIDI 3.0, available in different cable lengths	see page 30
Accessories		Item no.
4	Connector cable, primary to secondary ECU, available in different cable lengths	see page 30
5	Sensor X (speed), trailed sprayer, 1 m cable with AMP connector, 12 magnets	30303621
6	GPS speed sensor	30258330
7	Connector cable for sensors, with 3-pin AMP socket on junction box, available in different cable lengths	see page 31



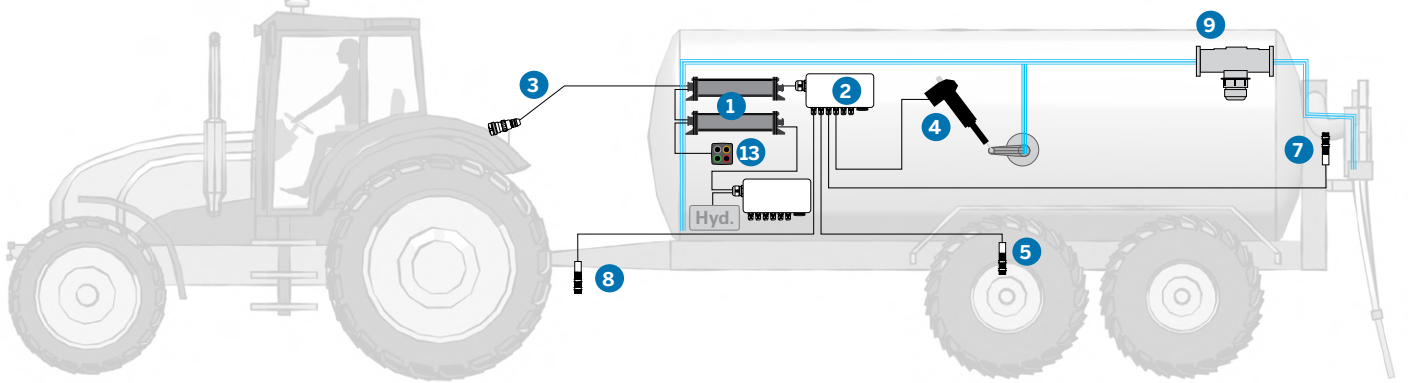
# Fertilization

## Function Overview

	Field-IQ™ ISOBUS for Slurry Tanker	Field-IQ™ ISOBUS for Spreader
Application rate control	Yes	
Application rate regulation	Yes	Yes
ISOBUS system	Yes	Yes
Number of sections	18	>2
Hydraulic functions	Yes	Yes
Trip and total counter	Yes	Yes
Task management (ISOBUS-TC)	Yes	Yes
Prescription map processing	Yes	Yes
Section control (SECTION-Control)	Yes	Yes
Multiple Product Control (MULTI-Product)		Yes
Multi-Boom Control (MULTI-Boom)		Yes
Application rate control per section (MULTI RATE-Control)		Yes
Multiple Boom Section Control (MULTI SECTION-Control)		Yes
External keypads	4x 2 keys	
AUX-N (Joystick)	Yes	Yes
Configuration	PC	via display

# Field-IQ™ ISOBUS for Slurry Tankers\*

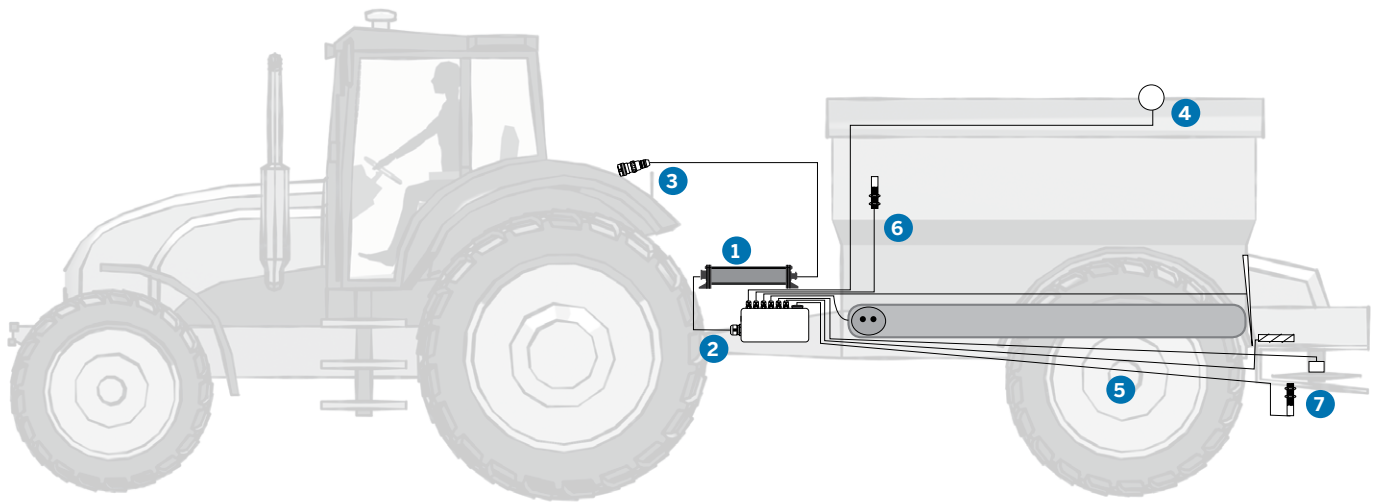
\*requires a Field-IQ™ ISOBUS Configurator tool for configuration



<p>1</p> 	<p>2</p> 	<p>3</p> 	<p>4</p> 
<p>5</p> 	<p>6</p> 	<p>7</p> 	<p>8</p> 
<p>9</p> 	<p>10</p> 	<p>11</p> 	<p>12</p> 

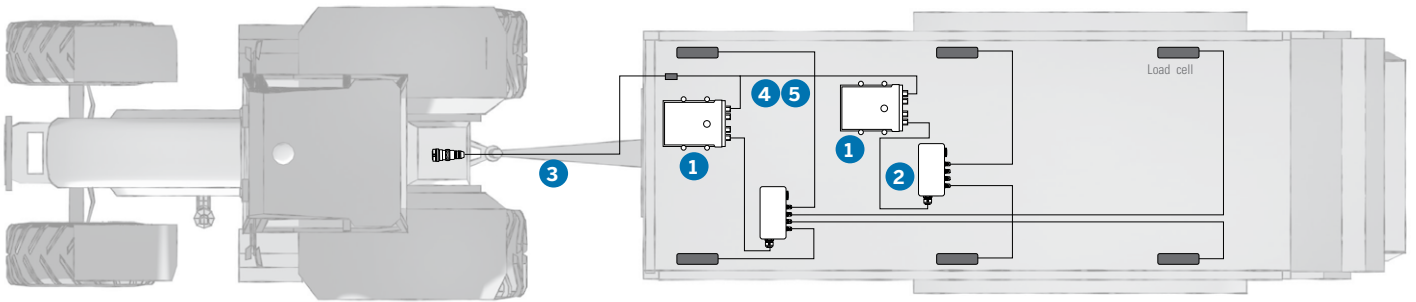
ISOBUS ECU with secondary ECU for slurry tankers		Item no.
1	Field-IQ™ ISOBUS ECU-MIDI 3.0	75774-20
2	Universal junction box for ECU-MIDI 3.0, available in different cable lengths	see page 30
3	Connector cable ISOBUS ECU, available in different cable lengths	see page 30
4	Actuator (linear actuator)	302130
5	Sensor X for speed, 6 m cable without connector, 12 magnets	312583
6	GPS speed sensor	30258330
7	Sensor Y for work position, 5 m cable without connector, with installation equipment	312586
8	Rotational speed sensor for monitoring the pump speed, 6 m cable without connector, with installation equipment	302580
Flow meter		Item no.
9	Magnetic / inductive flow meter, DN 100 Measurement range 0.3 - 4 cbm/min	30212611
	Magnetic / inductive flow meter, DN 125 Measurement range 0.4 - 6 cbm/min	30212621
	Magnetic / inductive flow meter, DN 150 Measurement range 0.5 - 8 cbm/min	30212631
	Magnetic / inductive flow meter, DN 200 Measurement range 0.8 - 12 cbm/min	30212641
10	Angle sensor 120° with AMP connector, without cable, with boom	30303675
11	Connector cable for sensors, with 3-pin AMP socket on junction box, available in different cable lengths	see page 31
Accessories		Item no.
12	Connector cable, primary to secondary ECU, available in different cable lengths	see page 30
External operation		Item no.
13	CAN Keypad with accessories	see page 31
Optional		Item no.
Additional module chassis controlling (manufacturer Mobil Elektronik)		3032245001

# Field-IQ™ ISOBUS for Fertilizer Spreader



ISOBUS ECU for universal spreader		Item no.
1	Field-IQ™ ISOBUS ECU-MIDI 3.0	75774-20
2	Universal junction box for ECU-MIDI 3.0, available in different cable lengths	see page 30
3	Connector cable ISOBUS ECU, available in different cable lengths	see page 30
4	GPS speed sensor	30258330
5	Connector cable for sensors, 4 m with 3-pin AMP socket to junction box	30303296
6	Level sensor, 1 m cable, with AMP connector	30303650
7	Inductive sensor, 1 m cable with AMP connector, 8 mm switching distance	30303631

# ISOBUS SCALE-Controller



ISOBUS Weighing system		Item no.
1	ISOBUS SCALE-Controller	30294002
2	Junction box for ISOBUS SCALE-Controller (max. 10 load cells)	30294003
3	Connector cable ISOBUS ECU, available in different cable lengths	see page 30
4	ISOBUS connector cable for SCALE-Controller (Stand-alone), 0.6 m	30294004
5	ISOBUS connector cable for 2 SCALE-Controllers (primary and secondary), 0.85 m	30294005
6	Adapter cable for connecting a ECU-MIDI 3.0 and at least one SCALE-Controller (can only be used together with a SCALE-Controller connection cable 30294004 or 30294005)	30294006
7	Cable harness for 4 load cells, 1 m	30294007
8	Cable harness for 6 load cells, 1 m	30294008

# MIDI 3.0 - Standard components

Connector cable, ISOBUS ECU		Item no.
1	Connector cable, ISOBUS ECU, 1 m	3030314303
	Connector cable, ISOBUS ECU, 2.5 m	3030314603
	Connector cable, ISOBUS ECU, 4 m	3030314403
	Connector cable, ISOBUS ECU, 5.5 m	3030314803
	Connector cable, ISOBUS ECU, 6.5 m	3030314003
	Connector cable, ISOBUS ECU, 8.5 m	3030314203
	Connector cable, ISOBUS ECU, 11 m	3030314103
	Connector cable, ISOBUS ECU, 14 m	3030314703
Connector cable, primary to secondary ECU		Item no.
2	Connector cable, primary to secondary ECU, 0.3 m	30322355
	Connector cable, primary to secondary ECU, 0.6 m	3032235804
	Connector cable, primary to secondary ECU, 1.5 m	30322359
	Connector cable, primary to secondary ECU, 3.2 m	30322358
	Connector cable, primary to secondary ECU, 4 m	3032235801
	Connector cable, primary to secondary ECU, 6.5 m	30322357
	Connector cable, primary to secondary ECU, 8 m	3032235802
	Connector cable, primary to secondary ECU, 10 m	30322356
	Connector cable, primary to secondary ECU, 14 m	3032235803
	Universal junction box	
3	Universal junction box for ECU-MIDI 3.0, 0.6 m cable	3032247001
	Universal junction box for ECU-MIDI 3.0, 1.5 m cable	3032247501
	Universal junction box for ECU-MIDI 3.0, 2 m cable	3032247101
	Universal junction box for ECU-MIDI 3.0, 4 m cable	3032247201
Sensors & Accessories		Item no.
4	GPS speed sensor	30258330
5	Work position sensor	30303615



AEF Certified

# ISOBUS

[www.aef-isobus-database.org](http://www.aef-isobus-database.org)



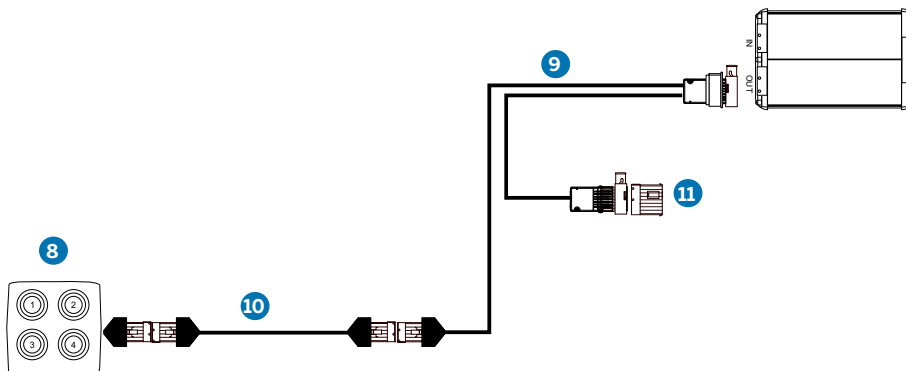
ME ECUs comply with ISOBUS standard 11783 and are AEF-certified. You can find the current status of the certified functions \* in the AEF database.

\* subject to change

Sensors & Accessories		Item no.
6	Rotational speed sensor with AMP connector	30303623
7	Connection cable for sensors with 3-pin AMP socket to junction box, 1.10 m	3030329706
	Connection cable for sensors with 3-pin AMP socket to junction box, 2 m	30303294
	Connection cable for sensors with 3-pin AMP socket to junction box, 4 m	30303296
	Connection cable for sensors with 3-pin AMP socket to junction box, 6 m	30303295
	Connection cable for sensors with 3-pin AMP socket to junction box, 8 m	30303297
	Connection cable for sensors with 3-pin AMP socket to junction box, 10 m	3030329705
	Connection cable for sensors with 3-pin AMP socket to junction box, 12 m	30303298
	Connection cable for sensors with 3-pin AMP socket to junction box, 20 m	30303289



External operation	Item no.
--------------------	----------



8	CAN Keypad, additional control panel	30303156
9	Flexwire cable to MIDI with Y cable, 6-pin, AMP	3025208030
10	Extension cable 6-pin AMP, 3.5 m	3025208035
	Extension cable 6-pin AMP, 7.5 m	3025208036
11	Termination plug	31300580



Licenses	Item no.
Raven Sidekick Pro	30303074
US.Sen. SECTION Switch	3030383005
Vario-Select License	30303080
NIR Sensor License	30303081

# Spare parts

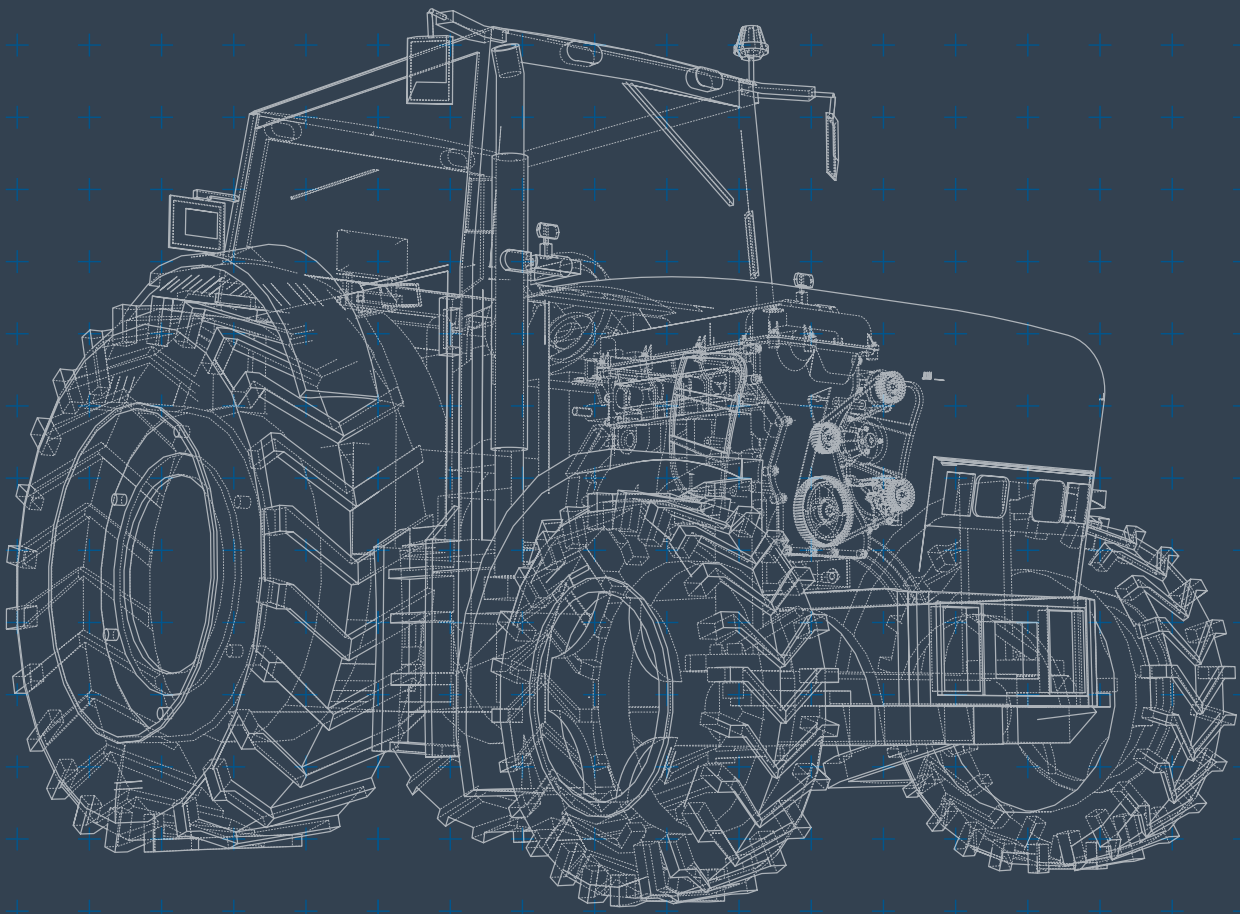
Sensors		Item no.
Sensor X for drive shaft/wheel, 6 m cable without connector, for junction box, with installation equipment		312580
Inductive sensor 12 mm, 1 m cable with AMP connector, 4 mm switching distance		30303625
Inductive sensor 18 mm, 1 m cable with AMP connector, 8 mm switching distance		30303631
Level sensor, 1 m cable with AMP connector		30303650
Angle sensor 30° with AMP connector, without cable, with boom		30303672
Angle sensor 60° with AMP connector, without cable, with boom		30303673
Angle sensor 120° with AMP connector, without cable, with boom		30303675
Cabling		Item no.
AMP socket, 3-pin, for sensor		31300571
Parts set 3-pin AMP plug		31300561
Connection cable for sensors with 3-pin AMP socket to junction box, 1.10 m		3030329706
Connection cable for sensors with 3-pin AMP socket to junction box, 2 m		30303294
Connection cable for sensors with 3-pin AMP socket to junction box, 4 m		30303296
Connection cable for sensors with 3-pin AMP socket to junction box, 6 m		30303295
Connection cable for sensors with 3-pin AMP socket to junction box, 8 m		30303297
Connection cable for sensors with 3-pin AMP socket to junction box, 10 m		3030329705
Connection cable for sensors with 3-pin AMP socket to junction box, 12 m		30303298
Connection cable for sensors with 3-pin AMP socket to junction box, 20 m		30303289
Extension cable AMP, 3-pin, 6m		30303292
Others		Item no.
P-Can Dongle		32745670
Adapter harness for ISOBUS In-Cab connector		31322591
Adapter harness for Sub-D connection		327360
Service Case		30309980
<p>Service Case ISOBUS</p> <p><i>Contains basic vehicle harness to connect an ISOBUS ECU from Müller-Elektronik to a display without a tractor.</i></p> <p><i>A power supply unit is included for operating the basic vehicle harness with 230 V. In addition, a PCAN dongle and various adapter cables for diagnostic purposes are included.</i></p>		30309982











 **Trimble** Agriculture  
Easier Farming with Precision

©2023–2024, Trimble Inc. All rights reserved. Trimble and the Globe & Triangle logo, CenterPoint, EZ-Guide, EZ-Pilot, EZ-Steer, FmX, ProPoint, RangePoint, ViewPoint, Weedseeker and xFill are trademarks of Trimble Inc., registered in the United States and other countries. Autopilot, AutoSync, Field-IQ, GFX-350, GFX-750, GFX-1060, GFX-1260, NAV-500, NextSwath, OnSwath, TMX-2050 and Precision-IQ are trademarks of Trimble Inc. The Bluetooth word mark and logos are owned by Bluetooth SIG, Inc. and any use of such marks by Trimble Inc. is under license. Galileo is developed under a license from the European Union and the European Space Agency. Google, Google Play, Android and other trademarks are trademarks of Google LLC. All other trademarks are the property of their respective owners. (11/23)

[agriculture.trimble.com](https://agriculture.trimble.com)

# ISOBUS Displays

## SMART570™

The SMART570™ operating and display device complies with ISOBUS standard ISO 11783 and can be used as an Universal Terminal (UT) on all ISOBUS machines, regardless of manufacturer. The display has a resolution of 640 x 480 pixels. The SMART570™ offers a capacitive touch screen, a membrane keyboard and a rotary encoder for optimum operation of the connected implement.

SMART570™ display package	Item no.
SMART570™ with bracket and CPC connection cable, 2 m	30750007



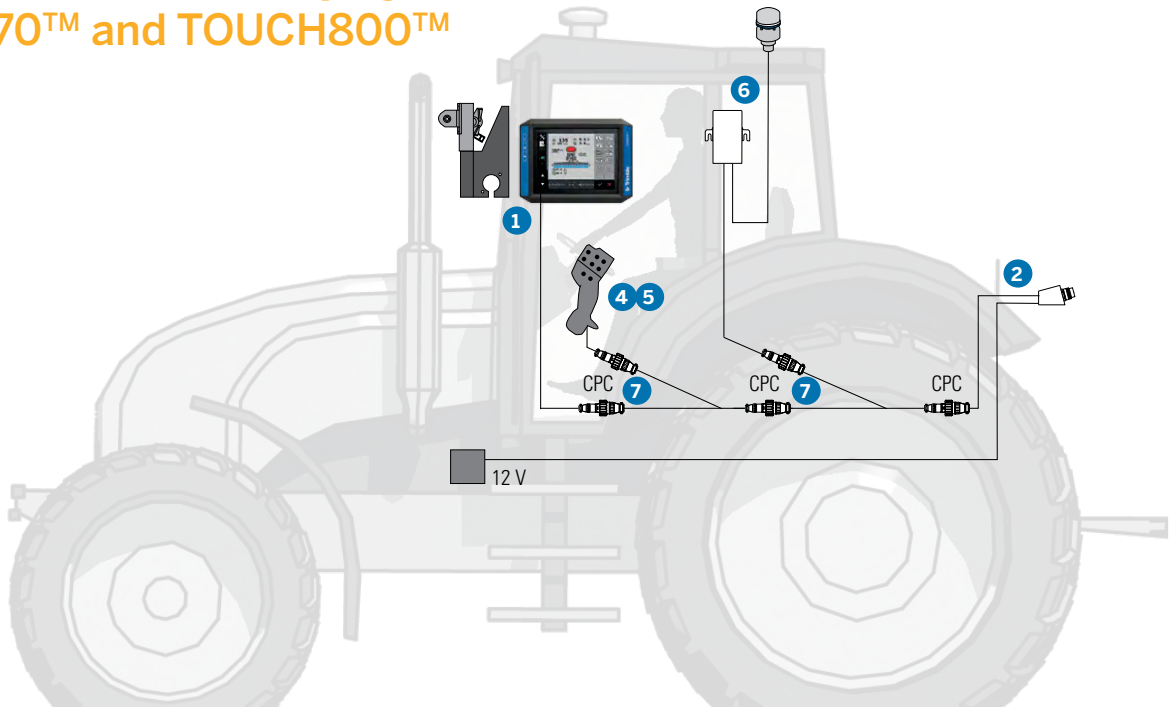
## TOUCH800™

The TOUCH800™ impresses with modern technology and an unsurpassed variety of functions. With the 8" display and capacitive touch screen, ideal operation is guaranteed. Like usual, the functions can be shown in a main window and in a header. Equipped with MULTI-Control, the TOUCH800™ are superior to other ISOBUS displays. In addition, the TOUCH800™ offers many upgrade options by a great variety, including apps and automatic steering.

TOUCH800™ display package	Item no.
TOUCH800™ with bracket and camera port	30750009



# Accessories ISOBUS Displays SMART570™ and TOUCH800™



Tractor basic vehicle harness		Item no.
1	ISOBUS basic vehicle harness for tractors with In-Cab-Connector	30322541
2	ISOBUS basic vehicle harness with 9-pin CPC connector, with rear socket 2.9 m cable, 50 A	30322574
	ISOBUS basic vehicle harness with 9-pin CPC connector, with rear socket 6.1 m cable, 50 A	30322573
3	Adapter cable in-cab connector with 9-pin CPC connector for tractors with ISOBUS (e.g. Case, New Holland)	30322547
Joystick ISOBUS display		Item no.
4	ISOBUS Joystick IV with CPC connector cable, 8+1 sealed buttons Aux1/Aux2, LED 9 pin	3032258609
5	Joystick PRO with 9-pin CPC socket, supports Auxiliary protocols AUX-N	3032258620
Weather Station		Item no.
6	ISOBUS Weather Station with 9-pin CPC connector	3030247110
Accessories		Item no.
7	Y cable ISOBUS to In-Cab, CPC socket to 2x CPC connector	3039910114

